

FULLY HYDRAULIC BOOM FUNCTION

POWER BOOMING— 70 DEGREES
EASY FULL BEARING ROTATION
12V OR 24V WINCHING OPERATION

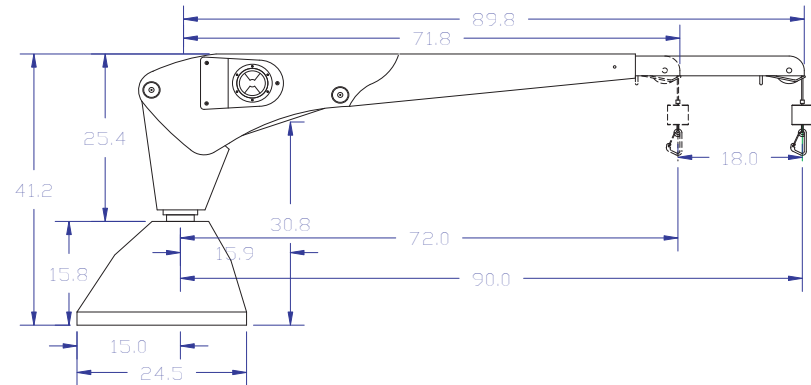
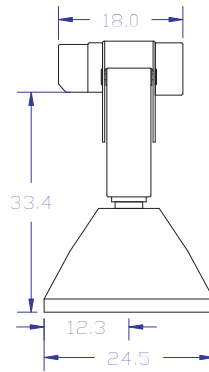
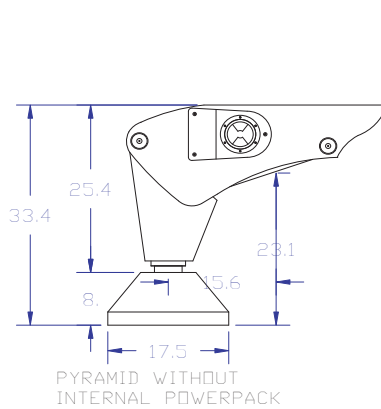
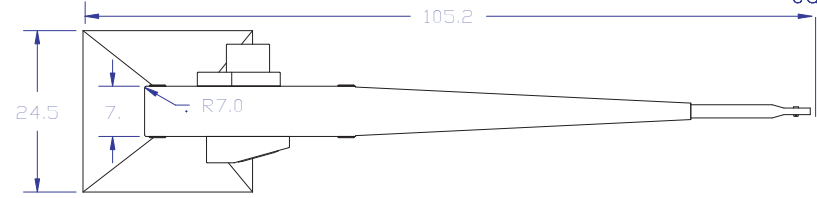
Nick Jackson Co. Ph. 425-481-1381 Fax 882-2054
Quality Yacht Davits World Wide Nickjacksonco.com - e-NJCDavits@aol.com
17725 NE 65th St. Suite A- 175 Redmond WA. 98052

**1000# LOW PROFILE 1000LPHB
HYDRAULIC BOOMING**



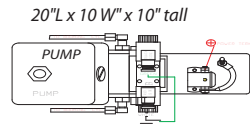
Jan 02

**PYRAMID
MODEL**

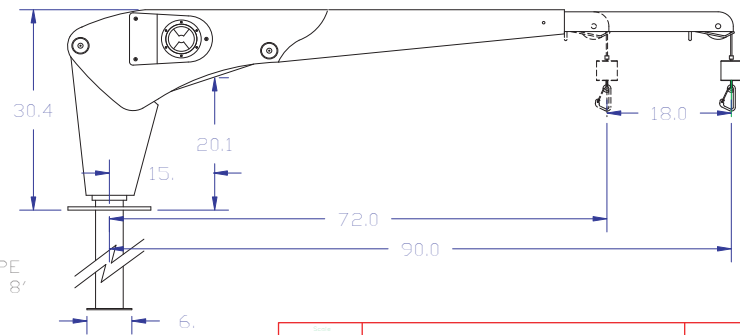
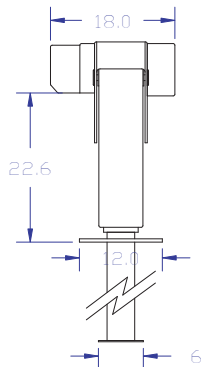


**PYRAMID WITH
INTERNAL POWERPACK**

**STANDPIPE
MODEL**

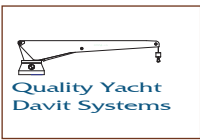
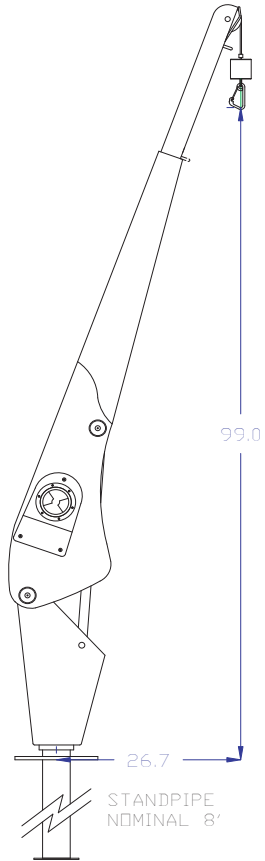


Uses .8 gallon a minute @ 2800 psi
Comes w/ stainless hydraulic lines
12v needs 200 amps of service
24 v needs 150 amps of service



**STANDPIPE
NOMINAL 8"**

Drawn SKALET	NICK JACKSON CO.	Drawn JMP
EQUIP_NO.?		Drawn DS-01
WG_NO.?		Checked by DWG
Part No.	1000#-L.P.H.B.	Checked by



THE SMOOTHEST AND THE QUIETEST UNIT YOU CAN BUY. HYDRAULIC BOOMING OPERATION. PENDANT OPERATED.
AS A STANDARD UNIT, THIS COMES IN STARNDARD LENGTH OR WE BUILD TO YOUR NEED. . STANDPIPE OR PYRAMID MOUNTED
AS YOU REQUIRE. DIMENSIONAL HEIGHT OF THE UNIT CAN BE LOWERED OR RAISED TO FIT YOUR NEED. CUSTOM CAPABILITY
USES LESS THAN ONE GALLON OF FLUID TO OPERATE. 12V, 24V OR 115VAC OPERATED BY SEPERATE
AUTOCAD DRAWINGS AVAILABLE FOR YOU TO WORK WITH. CALL OR E-mail US FOR YOUR PROJECT. Ph. 425-481-1381 * NJCDAVITS@aol.com

